

80mΩ, Adjustable Fast Response Current-Limited Power-Distribution Switch

GENERAL DESCRIPTION

The KF2015A is a cost-effective, low voltage, single P-MOSFET load switch, optimized for self-powered and bus-powered Universal Serial Bus (USB) applications. This switch operates with inputs ranging from 2.4V to 5.5V, making it ideal for both 3V and 5V systems. The switch's low $R_{DS(ON)}$, 80mΩ, meets USB voltage drop requirements. The KF2015A is also protected from thermal overload which limits power dissipation and junction temperatures. Current limit threshold is programmed with a resistor from SET to ground. The quiescent supply current is typically 15μA at switch on state. At switch off state the supply current decreases to less than 1μA. The KF2015A is available in SOT23-5 package.

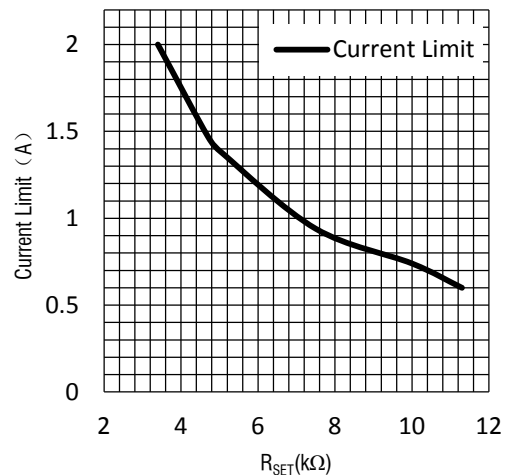
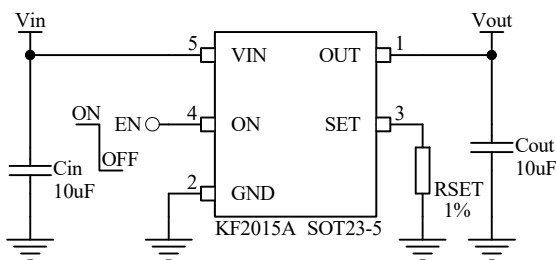
FEATURES

- Compliant to USB Specifications
- Integrated 80mΩ Power MOSFET
- Low Supply Current
15μA Typical at Switch On State
1μA Typical at Switch Off State
- Wide Input Voltage Range: 2.4V to 5.5V
- Fast Transient Response: <math>< 2\mu s</math>
- Reverse Current Flow Blocking
- Thermal Shutdown Protection
- Hot Plug-In Application (Soft-Start)
- Available in a 5-Pin SOT23-5 Package

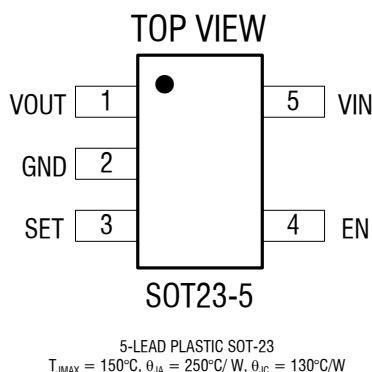
APPLICATIONS

- USB Bus/Self Powered Hubs
- USB Peripherals
- Notebook Computers
- Battery-Charger Circuits
- Personal Communication Devices

TYPICAL APPLICATION



PACKAGE/ORDER INFORMATION



Pin Name	Pin Number	Description
VOUT	1	Power-switch output
GND	2	Ground connection; connect externally to Power PAD
SET	3	External resistor used to set current-limit threshold
EN	4	Enable input, logic high turns on power switch
VIN	5	Input voltage; connect a 10uF or greater ceramic capacitor from VIN to GND as close to the IC as possible



ABSOLUTE MAXIMUM RATINGS (Note 1)

Input Supply Voltage.....	-0.3V to 7V	Junction Temperature(Note2).....	150°C
EN Voltages.....	-0.3V to (V _{IN} + 0.3V)	Operating Temperature Range.....	-40°C to 85°C
SET Voltage.....	-0.3V to (V _{IN} + 0.3V)	Lead Temperature(Soldering,10s).....	300°C
Power Dissipation.....	0.4W	Storage Temperature Range.....	-65°C to 150°C
Thermal Resistance θ_{JC}	130°C/W	ESD HBM(Human Body Mode).....	2kV
Thermal Resistance θ_{JA}	250°C/W	ESD MM(Machine Mode).....	200V

ELECTRICAL CHARACTERISTICS (Note 3)

(V_{IN}=5V, T_A = -40°C to 85°C, unless otherwise noted.)

PARAMETER	SYMBOL	CONDITIONS	MIN	TYP	MAX	UNIT
Input Voltage Range	V _{IN}		2.4		5.5	V
Switch On Resistance	R _{DS(ON)}	V _{IN} = 5V		80	100	mΩ
		V _{IN} = 3V		90	110	mΩ
Operation Quiescent Current	I _Q	V _{IN} = 5V, EN = Active, No load		15	25	μA
Off Supply Current	I _{Q(OFF)}	V _{IN} = 5.5V, EN = Inactive			1	μA
Off Switch Current	I _{Q(SW OFF)}	V _{IN} = 5.5V, EN = Inactive			1	μA
Under-voltage Lockout	V _{UVLO}	V _{IN} Increasing		1.8	2.4	V
Under-voltage Lockout Hysteresis	ΔV _{UVLO}	V _{IN} decreasing		0.1		V
Current Limit Threshold	I _{LIM}	R _{SET} = 6.8kΩ		1		A
EN Threshold	Logic-Low Voltage	V _{IL}			0.8	V
	Logic-High Voltage	V _{IH}		2		V
Output Leakage Current	I _{LEAK}	EN = Inactive, R _{LOAD} = 0Ω		0.5	10	μA
Current Limit Response Time	T _{RESP}	V _{IN} = 5V		1		μs
Thermal Shutdown Protection	T _{SD}			150		°C
Thermal Shutdown Hysteresis	ΔT _{SD}			20		°C

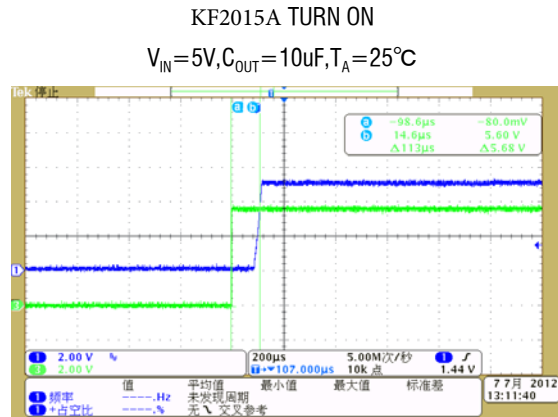
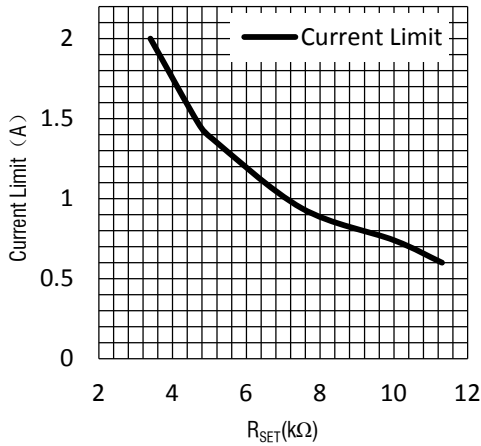
Note 1: Absolute Maximum Ratings are those values beyond which the life of a device may be impaired.

Note 2: T_J is calculated from the ambient temperature T_A and power dissipation P_D according to the following formula: T_J = T_A + (P_D) x (250°C/W).

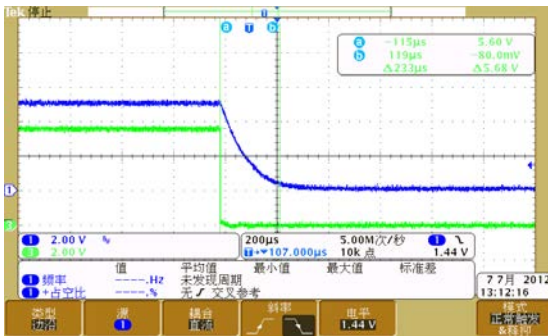
Note 3: 100% production test at 25°C. Specifications over the temperature range are guaranteed by design and characterization.



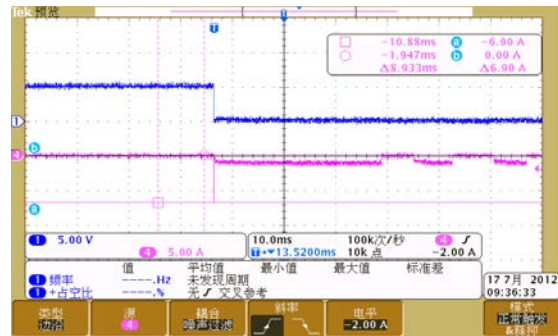
TYPICAL PERFORMANCE CHARACTERISTICS



KF2015A TURN OFF
V_{IN}=5V, C_{OUT}=10uF, T_A=25°C



Short Response
V_{IN}=5V, C_{OUT}=10uF, T_A=25°C



FUNCTIONAL BLOCK DIAGRAM

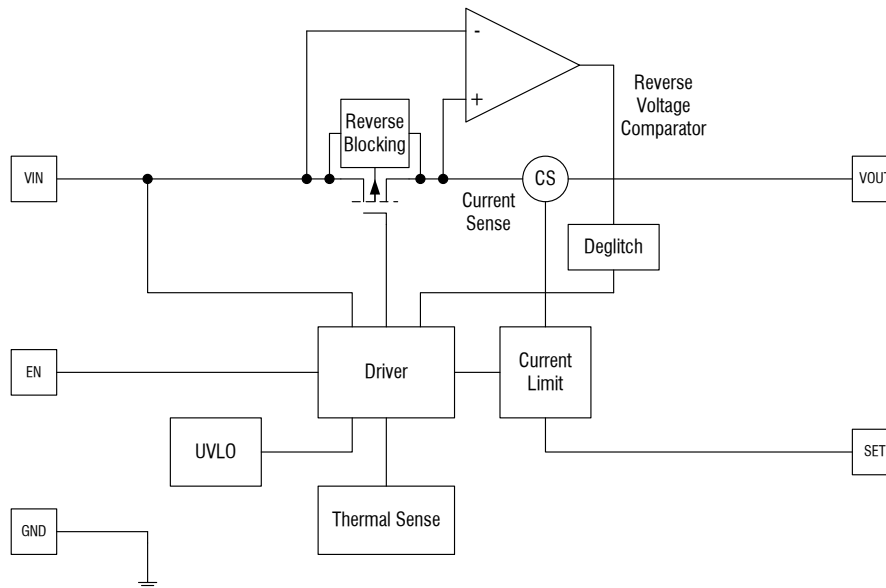


Figure 2. KF2015A Block Diagram

APPLICATIONS INFORMATION

The KF2015A is a single channel current limiting load switch that is intended to protect against short circuit and over current events by current limiting to a preset level. This device is optimized for self-powered and bus-powered Universal Serial Bus (USB) applications. The switch's low $R_{DS(ON)}$, 80m Ω , meets USB voltage drop requirements; and a flag output is available to indicate fault conditions to the local USB controller.

Input and Output

V_{IN} (input) is the power source connection to the internal circuitry and the source of the MOSFET. V_{OUT} (output) is the drain of the MOSFET. In a typical application, current flows through the switch from V_{IN} to V_{OUT} toward the load. If V_{OUT} is greater than V_{IN} , current will flow from V_{OUT} to V_{IN} since the MOSFET is bidirectional when on. The KF2015A's reverse current blocking feature

prevents current to flow from V_{OUT} to V_{IN} when the device is disabled.

Soft Start for Hot Plug-In Applications

In order to eliminate the upstream voltage droop caused by the large inrush current during hot-plug events, the "soft-start" feature effectively isolates the power source from extremely large capacitive loads, satisfying the USB voltage droop requirements.

Input capacitor

The input capacitor C_{IN} protects the power supply from current transients generated by the load attached to the KF2015A. When a short circuit is suddenly applied to the output of the KF2015A, a large current, limited only by the $R_{DS(ON)}$ of the MOSFET, will flow for less than 2 μ s before the current limit circuitry activates. In this event, a moderately sized C_{IN} will dramatically reduce the voltage transient seen by the power



supply and by other circuitry upstream from the KF2015A. The extremely fast short-circuit response time of the KF2015A reduces the size requirement for C_{IN} . C_{IN} should be located as close to the device V_{IN} pin as practically possible. Ceramic, tantalum, or aluminum electrolytic capacitors are appropriate for C_{IN} . There is no specific capacitor ESR requirement for C_{IN} . However, for higher current operation, ceramic capacitors are recommended for C_{IN} due to their inherent capability over tantalum capacitors to withstand input current surges from low impedance sources such as batteries in portable devices.

Output capacitor

A low-ESR 150 μ F aluminum electrolytic or tantalum between V_{OUT} and GND is strongly recommended to meet the 330mV maximum droop requirement in the hub V_{BUS} (Per USB 2.0, output ports must have a minimum 120 μ F of low-ESR bulk capacitance per hub). Standard bypass methods should be used to minimize inductance and resistance between the bypass capacitor and the downstream connector to reduce EMI and decouple voltage droop caused when downstream cables are hot-insertion transients. Ferrite beads in series with V_{BUS} , the ground line and the 0.1 μ F bypass capacitors at the power connector pins are recommended for EMI and ESD protection. The bypass capacitor itself should have a low dissipation factor to allow decoupling at higher frequencies.

Thermal Considerations

Since the KF2015A has internal current limit and over temperature protection, junction temperature is rarely a concern. However, if the application requires large currents in a hot environment, it is possible that temperature, rather than current limit, will be the dominant regulating condition. In these applications, the maximum current available without risk of an over-temperature condition must be calculated. Power dissipation can be

calculated based on the output current and the $R_{DS(ON)}$ of switch as below.

$$P_D = R_{DS(ON)} \times I_{OUT}^2$$

Although the devices are rated for 2A(max) of output current, but the application may limit the amount of output current based on the total power dissipation and the ambient temperature. The final operating junction temperature for any set of conditions can be estimated by the following thermal equation :

$$P_{D(MAX)} = \frac{T_{J(MAX)} - T_A}{\theta_{JA}}$$

Where $T_{J(MAX)}$ is the maximum operation junction temperature 150 $^{\circ}$ C, T_A is the ambient temperature and the θ_{JA} is the junction to ambient thermal resistance. The junction to ambient thermal resistance θ_{JA} is layout dependent. For SOT23-5 and TSOT23-5 packages, the thermal resistance θ_{JA} is 250 $^{\circ}$ C/W. The maximum power dissipation at $T_A = 25^{\circ}$ C is 0.4W for SOT23-5 and TSOT23-5 Package.

Current limit threshold Setting

Current limit threshold is programmed with a resistor from SET to ground marked as R_{SET} . It can be estimated by the following equation:

$$I_{SET} (A) = \frac{6.8k\Omega}{R_{SET} (k\Omega)}$$

Such as the following table.

I_{SET} (mA)	R_{SET} (k Ω)
600	11.3
800	8.45
1000	6.8
1500	4.53
2000	3.4

PCB Layout Recommendations

When laying out the printed circuit board, the following checking should be used to ensure proper operation of the KF2015A. Check the following in your layout:

- Does the (+) plates of C_{IN} connect to V_{IN} as closely as possible. This capacitor provides the AC current to the internal power MOSFETs.
- Keep the (-) plates of C_{IN} and C_{OUT} as close as possible

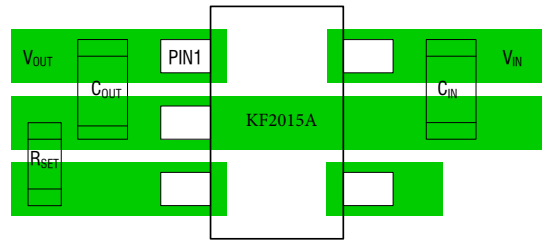
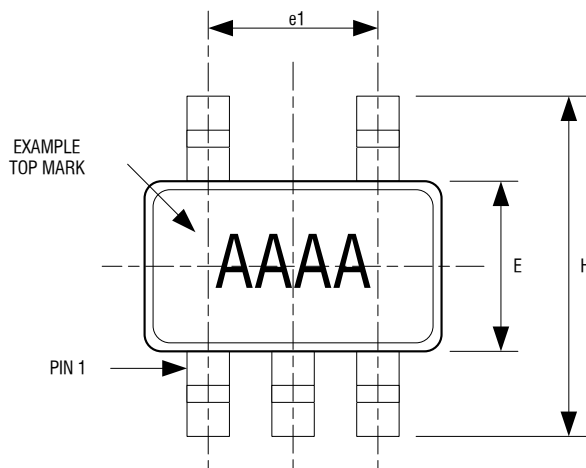


Figure 3. KF2015A Suggested Layout

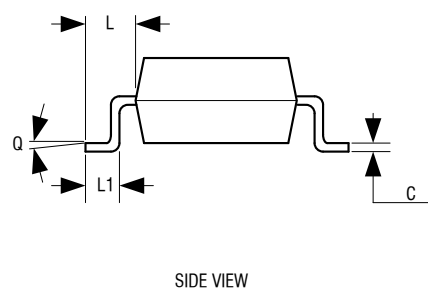
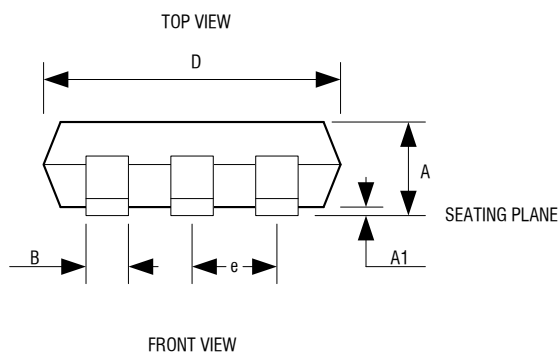
PACKAGE DESCRIPTION

SOT23-5



5LD SOT-23 PACKAGE OUTLINE DIMENSIONS

Dimension	Min.	Max.
A	1.05	1.35
A1	0.04	0.15
B	0.3	0.5
C	0.09	0.2
D	2.8	3.0
H	2.5	3.1
E	1.5	1.7
e	0.95 REF.	
e1	1.90 REF.	
L1	0.2	0.55
L	0.35	0.8
Q	0°	10°



NOTE:
 1. DIMENSIONS ARE IN MILLIMETERS
 2. DRAWING NOT TO SCALE
 3. DIMENSIONS ARE INCLUSIVE OF PLATING
 4. DIMENSIONS ARE EXCLUSIVE OF MOLD FLASH AND METAL BURR



责任及版权申明

深圳市科发鑫电子有限公司有权根据所提供的产品和服务进行更正、修改、增强、改进或其它更改，客户在下订单前应获取最新的相关信息，并验证这些信息是否完整且是最新的。所有产品的销售都遵循在订单确认时所提供的销售条款与条件。

深圳市科发鑫电子有限公司对应用帮助或客户产品设计不承担任何义务。客户应对其使用科发鑫的产品和应用自行负责。为尽量减小与客户产品和应用相关的风险，客户应提供充分的设计与操作安全验证。

客户认可并同意，尽管任何应用相关信息或支持仍可能由科发鑫提供，但他们将独力负责满足与其产品及在其应用中使用科发鑫产品相关的所有法律、法规和安全相关要求。客户声明并同意，他们具备制定与实施安全措施所需的全部专业技术和知识，可预见故障的危险后果、监测故障及其后果、降低有可能造成人身伤害的故障的发生机率并采取适当的补救措施。客户将全额赔偿因在此类关键应用中使用任何科发鑫产品而对科发鑫及其代理造成的任何损失。

对于科发鑫的产品手册或数据表，仅在没有对内容进行任何篡改且带有相关授权、条件、限制和声明的情况下才允许进行复制。科发鑫对此类篡改过的文件不承担任何责任或义务。复制第三方的信息可能需要服从额外的限制条件。

科发鑫会不定期更新本文档内容，产品实际参数可能因型号或者其他事项不同有所差异，本文档不作为任何明示或暗示的担保或授权

在转售科发鑫产品时，如果对该产品参数的陈述与科发鑫标明的参数相比存在差异或虚假成分，则会失去相关科发鑫产品的所有明示或暗示授权，且这是不正当的、欺诈性商业行为。科发鑫对任何此类虚假陈述均不承担任何责任或义务。